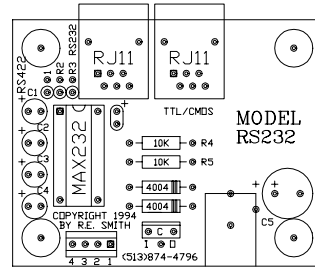
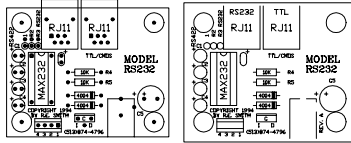
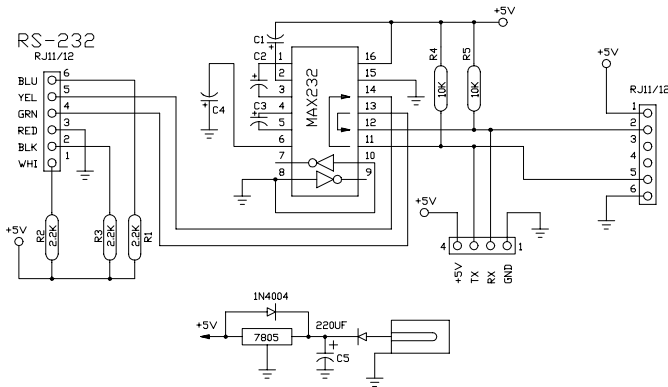


ORDERING/TECHNICAL INFO.
 R. E. SMITH
 4311 TYLERSVILLE ROAD
 HAMILTON, OHIO 45011
 (513) 874-4796
 (513) 874-1236 FAX.



ACTUAL SIZE (1:1)



FULL RS-232 TTL/CMDS MODEL RS232
R. E. SMITH
 4311 TYLERSVILLE RD.
 HAMILTON, OHIO 45011
 (513) 874-4796
 TTL/CMDS 9V DC

25-PIN, 6-WIRE INTERFACE CABLE FOR IBM PC 25-PIN M-DSUB RS-232 RJ-11		9-PIN, 6-WIRE INTERFACE CABLE FOR IBM PC 9-PIN M-DSUB RS-232 RJ-11	
1 - FG - XXX		1 - DCD - INP	
2 - TXD - OUT	RXD GRN 4	2 - RXD - INP	TXD YEL 5
3 - RXD - INP	TXD YEL 5	3 - TXD - OUT	RXD GRN 4
4 - RTS - OUT	DIR BLK 2	4 - DTR - OUT	<DIR - ALT>
5 - CTS - INP	+5V WHT 1	5 - GND - XXX	GND RED 3
6 - DSR - INP	+5V BLU 6	6 - DSR - INP	+5V BLU 6
7 - GND - XXX	GND RED 3	7 - RTS - OUT	DIR BLK 2
8 - DCD - INP		8 - CTS - INP	+5V WHT 1
20- DTR - OUT	<DIR - ALT>	9 - RI - INP	
PINS 9-25			

This drawing is the property of R. E. SMITH and shall not be used except with the written permission of R. E. SMITH; no copies shall be made of it and all proprietary rights in the matter contained in this drawing are the property of R. E. SMITH.
 COPYRIGHT - R. E. SMITH, 1993

DRAWN BY RES	SUBJECT RS-232 SCHEM.
DATE 4-14-94	FDR COMM CONVERSION
SCALE NONE	RES R. E. SMITH 4311 TYLERSVILLE RD. HAMILTON, OHIO 45011
CHKD BY RES	DWG. NO. 9404-10001 REV. A

SHEET 1 OF 1 RS232