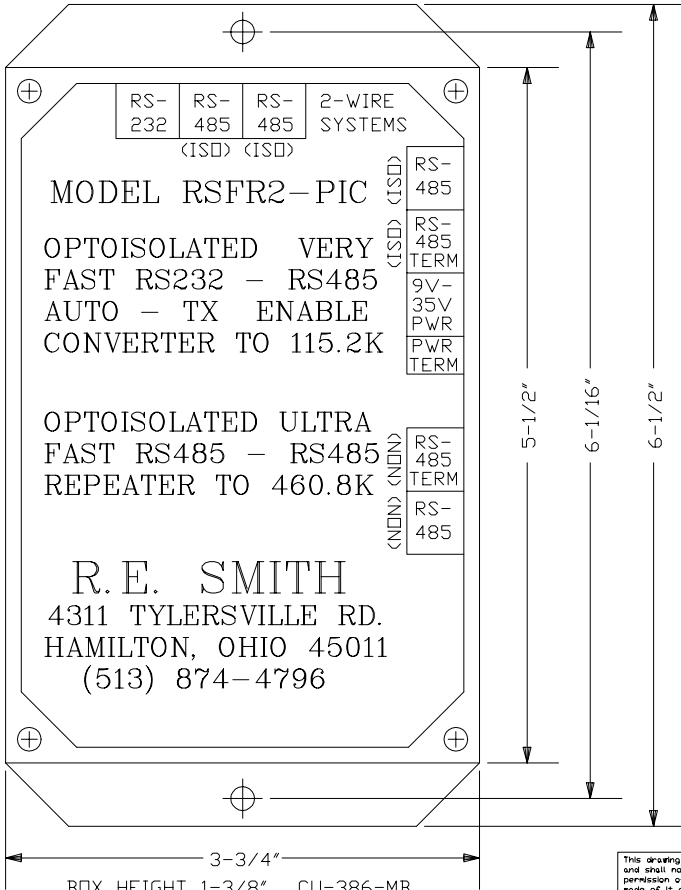
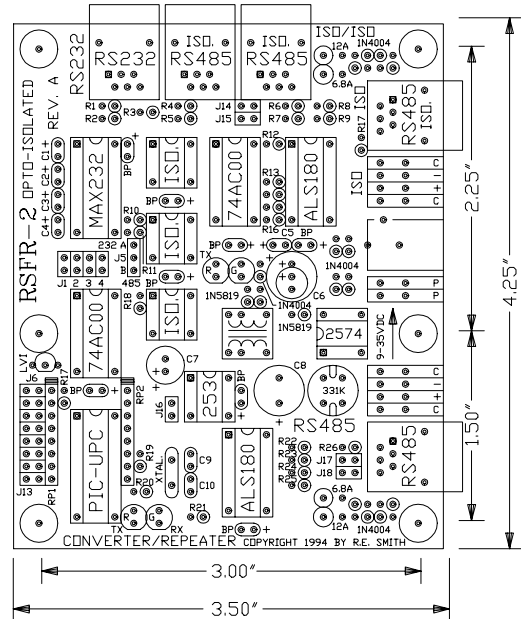


ACTUAL SIZE (1:1)



BOX HEIGHT 1-3/8" CU-386-MB
ENCLOSURE PHYSICAL DIMENSIONS

ACTUAL SIZE (1:1)



CIRCUIT BOARD PHYSICAL DIMENSIONS

ACTUAL SIZE (1:1)

R. E. SMITH
4311 TYLERSVILLE ROAD
HAMILTON, OHIO 45011
(513) 874-4796

This drawing is the property of R. E. SMITH and shall not be used except with the written permission of R. E. SMITH; no copies shall be made of it and all proprietary rights in the matter contained in this drawing are the property of R. E. SMITH.
COPYRIGHT - R. E. SMITH, 1994

SHEET 1 OF 1	RSFR2BOX	DRAWN BY RES	SUBJECT RSFR2 PHYSICAL
		DATE 11-22-94	FOR COMM CONVERSION
		SCALE NONE	
		CHKD. BY RES	RES R. E. SMITH 4311 TYLERSVILLE RD. HAMILTON, OHIO 45011
			DWG. NO. RSFR2BOX
			REV. A