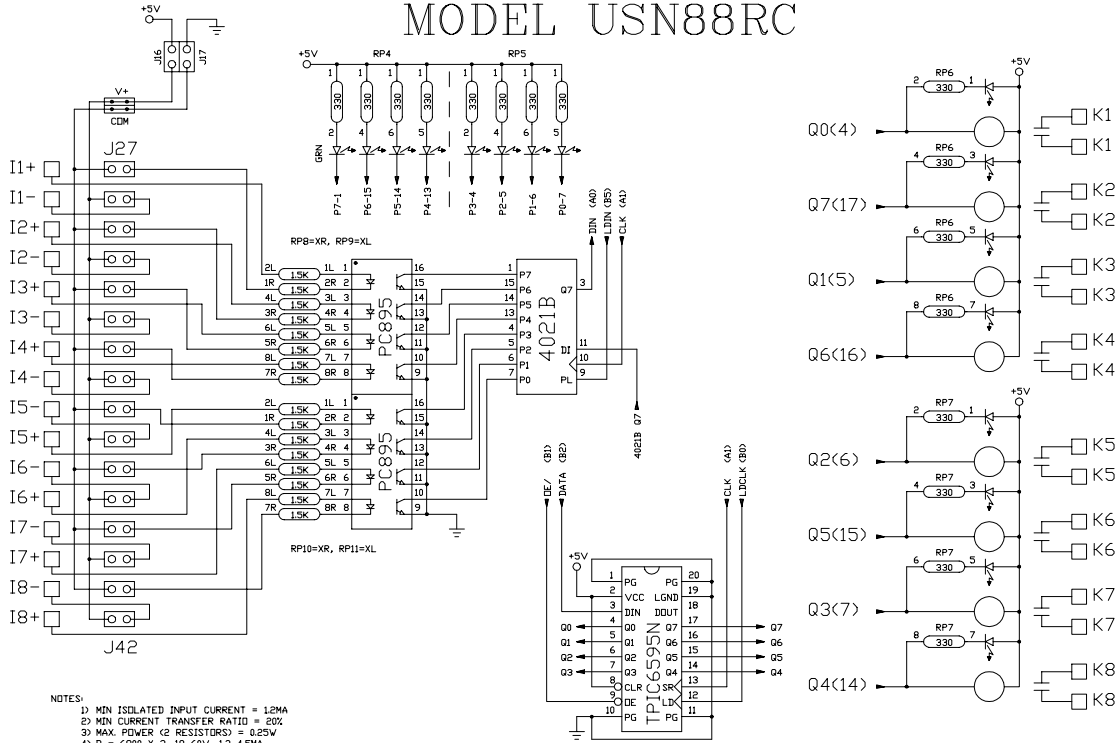


MODEL USN88RC



NOTES:

- 1) MIN ISOLATED INPUT CURRENT = 12MA
- 2) MIN CURRENT TRANSFER RATIO = 20%
- 3) MAX. POWER (2 RESISTORS) = 0.25W
- 4) R = 6800 X 2, 18-60V, 1.2-4.5MA
- 5) R = 5100 X 2, 13-51V, 1.2-5.0MA
- 6) R = 4700 X 2, 12-48V, 1.2-5.1MA
- 7) R = 3300 X 2, 9-40V, 1.2-6.1MA
- 8) R = 2200 X 2, 7-32V, 1.2-7.3MA (STBD.)
- 9) R = 1500 X 2, 5-27V, 1.2-9.0MA
- 10) R = 1000 X 2, 3.8-22V, 1.2-11.0MA

This drawing is the property of R. E. SMITH and shall not be used except with the written permission of R. E. SMITH, no copies shall be made of it and all proprietary rights in the matter contained in this drawing are the property of R. E. SMITH. COPYRIGHT - R. E. SMITH, 1994		DRAWN BY RES	SUBJECT 8-IN, 8-OUT, DIG.
SHEET 1 OF 1		DATE 6-10-95	FDR I/O SECTION
USN88RCX		SCALE NONE	REV. B
CHKD. BY RES		RES R. E. SMITH 400 TILBURY RD. #2 HAMILTON, ONT. L8S 4S6	QWC: NLS USN88RCX