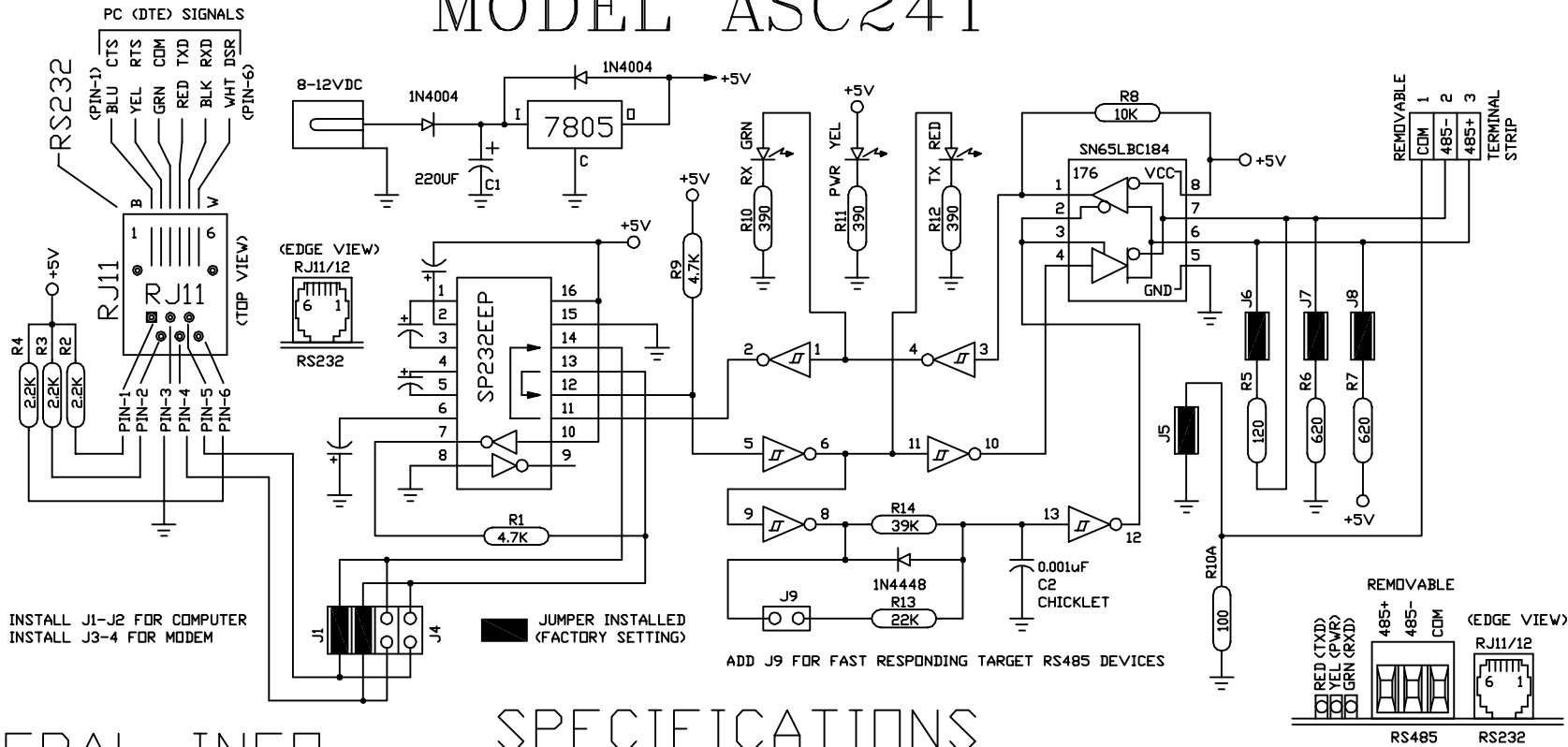


# MODEL ASC24T



INSTALL J1-J2 FOR COMPUTER  
INSTALL J3-4 FOR MODEM

JUMPER INSTALLED  
(FACTORY SETTING)

ADD J9 FOR FAST RESPONDING TARGET RS485 DEVICES

## GENERAL INFO.

FAST AUTOMATIC AUTO TX-ENABLE  
RS232 TO RS485 CONVERTER FOR  
2-WIRE APPLICATIONS AT BAUD  
RATES UP TO 115.2K. LEDs FOR  
POWER, TX DATA, AND RX DATA.  
ONBOARD BIAS AND TERMINATION  
WITH ONE-HALF UNIT LOAD TI  
SN65BLC184N DRIVER IC WITH  
SUPERIOR TRANSIENT PROTECTION.

R. E. SMITH  
4311 TYLERSVILLE ROAD  
HAMILTON, OHIO 45011  
(513) 874-4796

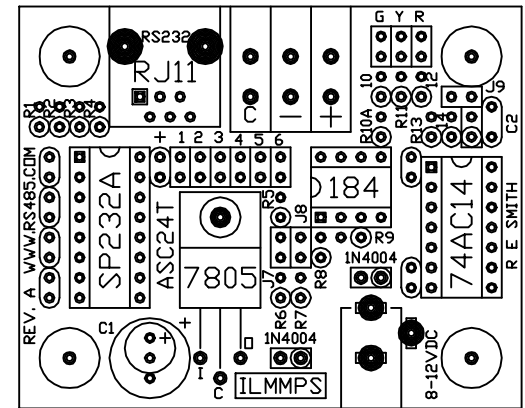
[www.rs485.com](http://www.rs485.com)

## SPECIFICATIONS

- 1) SIZE: 2.50" X 2.00" X 0.9" (PC BOARD)  
WITH CONNECTORS: 2.50" X 2.25"
- 2) MOUNTING HOLES: 4-PLACES  
2.00" X 1.50" (#6 HARDWARE)
- 3) TI SN65BLC184N RS485 DRIVER IC  
BUILT-IN TRANSIENT PROTECTION
- 4) TEMPERATURE RANGE: -40C TO +85C
- 5) HUMIDITY: 10-90% RH NON-CONDENSING
- 6) BAUD: 300-115.2K (LIMITED SLEW)
- 7) OPERATING VOLTAGE: 8-25VDC
- 8) TYPICAL POWER: UNDER 0.5W
- 9) HALF-DUPLEX 2-WIRE RS485

OPTIONAL ENCLOSURE,  
CABLE (DB9F OR DB25F),  
AND POWER SUPPLY  
ARE AVAILABLE.

ACTUAL SIZE (1:1)



This drawing is the property of R. E. SMITH  
and shall not be used except with the written  
permission of R. E. SMITH, no copies shall be  
made of it and all proprietary rights in the  
matter contained in this drawing are the  
property of R. E. SMITH.  
COPYRIGHT - R. E. SMITH, 2000

DRAWN BY RES	SUBJECT RS232/RS485
DATE 2-17-00	FOR AUTOMATIC CONV.
SCALE NONE	
CHKD. BY RES	RES R. E. SMITH 4311 TYLERSVILLE RD. HAMILTON, OHIO 45011
SHEET 1 OF 1	DWG. NO. ASC24T
ASC24T	REV. A