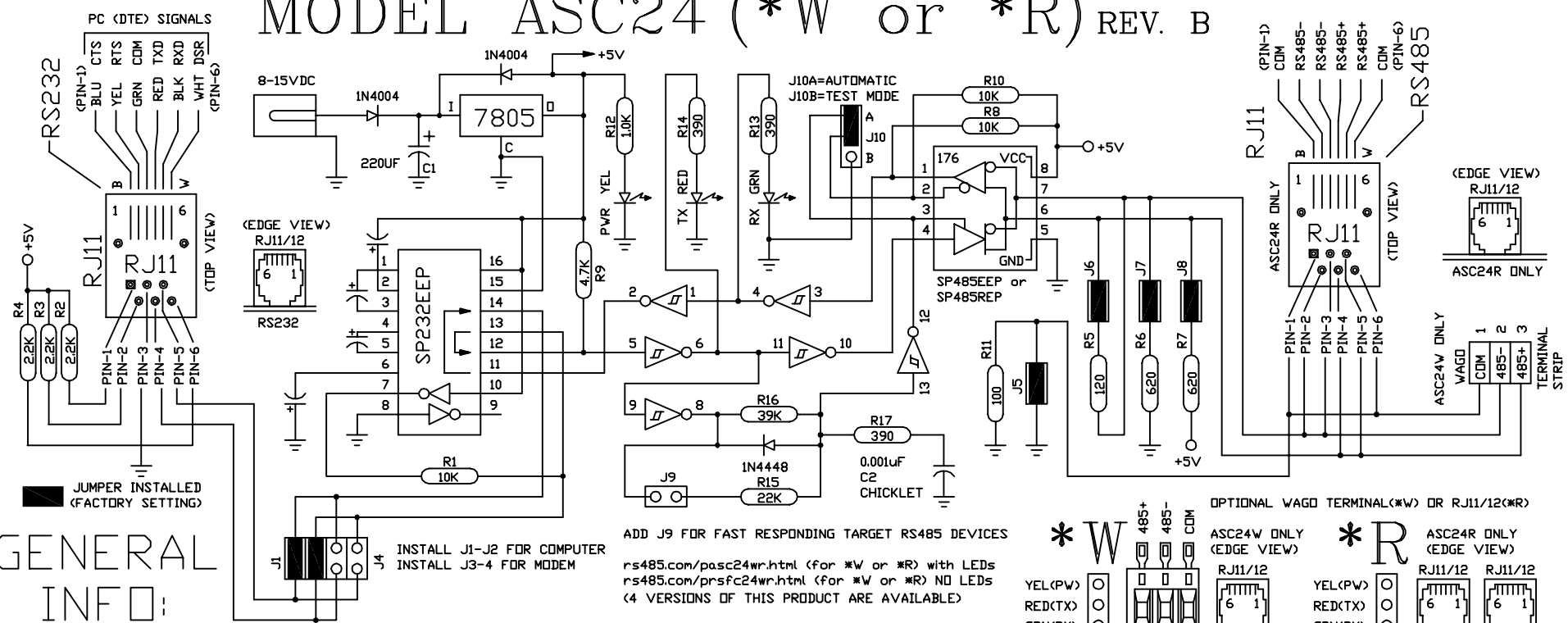


MODEL ASC24 (*W or *R) REV. B

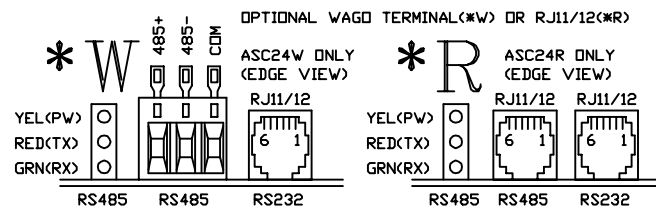


GENERAL INFO:

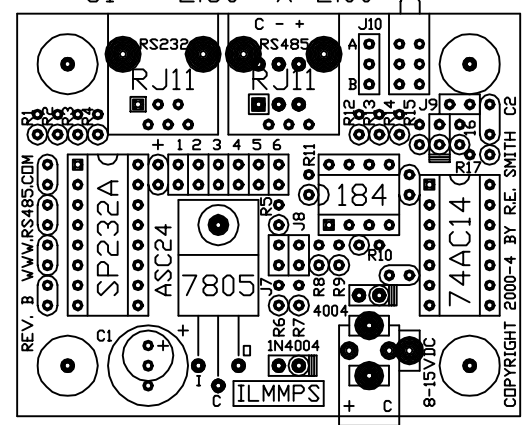
FAST AUTOMATIC TRANSMIT-ENABLE RS232C=>RS485 CONVERTER FOR 2-WIRE APPLICATIONS AT DATA RATES UP TO 115.2K. LEDs FOR POWER, TX DATA, AND RX DATA. ONBOARD BIAS AND TERMINATION, SIPEX SP485EEP or SP485REP IC WITH HIGH ESD TOLERANCE, TEST MODE JUMPER, AND FAST AUTO TRANSMIT ENABLE TIMING.
 *W=WAGO RS485 CONNECTION
 *R=RJ11/12 RS485 CONNECTION

SPECIFICATIONS

- 1) SIZE: 2.50" X 2.00" X 0.9" (PC BOARD) WITH CONNECTORS: 2.50" X 2.25"
- 2) MOUNTING HOLES: 4-PLACES 2.00" X 1.50" (#6 HARDWARE)
- 3) SIPEX SP485EEP or SP485REP IC WITH BUILT-IN ESD PROTECTION
- 4) TEMPERATURE RANGE: -40C TO 85C
- 5) HUMIDITY: 10-90% RH NON-CONDENSING
- 6) SPEED: UP TO 115.2Kbps @ 4000ft.
- 7) OPERATING VOLTAGE: 8-15VDC
- 8) TYPICAL POWER: UNDER 0.5W
- 9) HALF-DUPLEX 2-WIRE RS485



ACTUAL SIZE (1:1)
 S1 = 2.50" X 2.00"



OPTIONAL ENCLOSURE, CABLE (DB9F OR DB25F), AND POWER SUPPLY ARE AVAILABLE.

This drawing is the property of R. E. SMITH and shall not be used except with the written permission of R. E. SMITH, no copies shall be made of it and all proprietary rights in the matter contained in this drawing are the property of R. E. SMITH. COPYRIGHT - R. E. SMITH, 2000-2013		DRAWN BY RES	SUBJECT RS232C=>RS485	
SHEET 1 OF 1		DATE 8-14-04 REV 9-16-13	FOR AUTOMATIC CONV.	
ASC24		SCALE NONE	RES R. E. SMITH 10330 CHESTER ROAD CINCINNATI, OH 45215	
CHKD. BY RES		DVG. NO. ASC24		REV. B