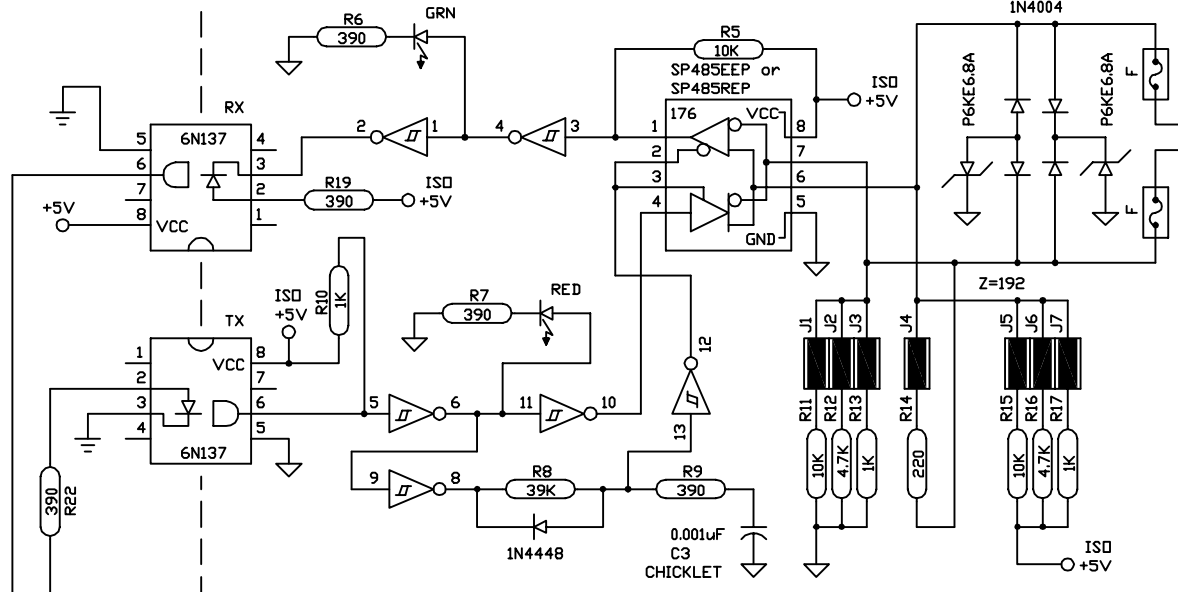
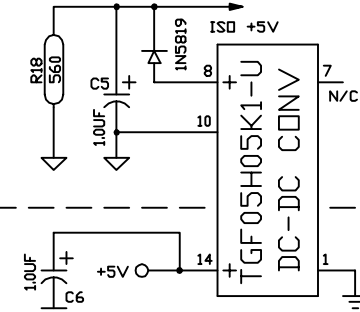


# MODEL IRSFC24FB REV. C



ISOLATED RS485  
3000VDC OPTO/XFORMER ISOLATION

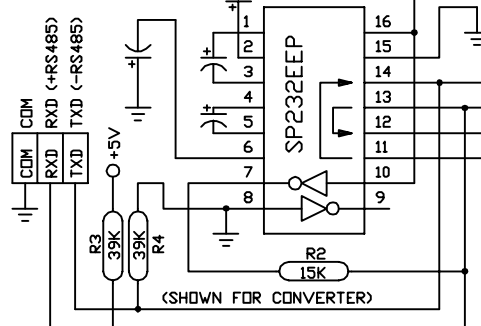


-C = CONVERTER  
(RS232<=>RS485)

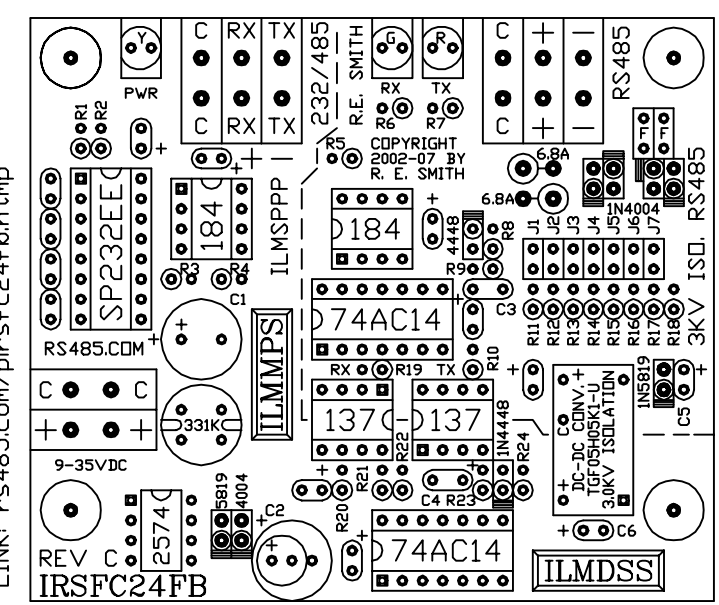
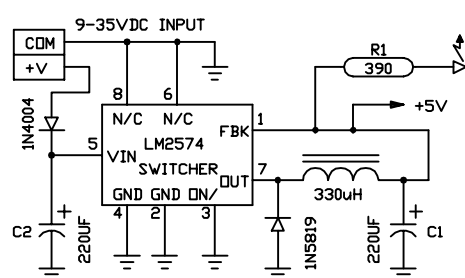
-R = REPEATER  
(RS485=>RS485)

M2 = 3.50" X 3.00" (ACTUAL SIZE)

TYPE	R2	R3	R4
CONV.	15K	-39K	-39K
REPR.	15K	620	620



NOTE: R3=R4=620 OHMS ON REPEATER BOARDS



LINK: rs485.com/pirsfc24fb.htm

www.rs485.com

This drawing is the property of R. E. SMITH and shall not be used except with the written permission of R. E. SMITH. No copies shall be made of it and all proprietary rights in the matter contained in this drawing are the property of R. E. SMITH. COPYRIGHT - R. E. SMITH, 1999-2013		DRAWN BY RES	SUBJECT
DATE 6-27-07 REV 9-16-13		FOR	RS232/RS485
SCALE NONE		3.0KVDC ISOLATED	
SHEET 1 OF 1	IRSFC24FB	CHKD. BY RES	RES R. E. SMITH 10330 CHESTER ROAD CINCINNATI, OH 45215
		DWG. NO.	IRSFC24FB C