

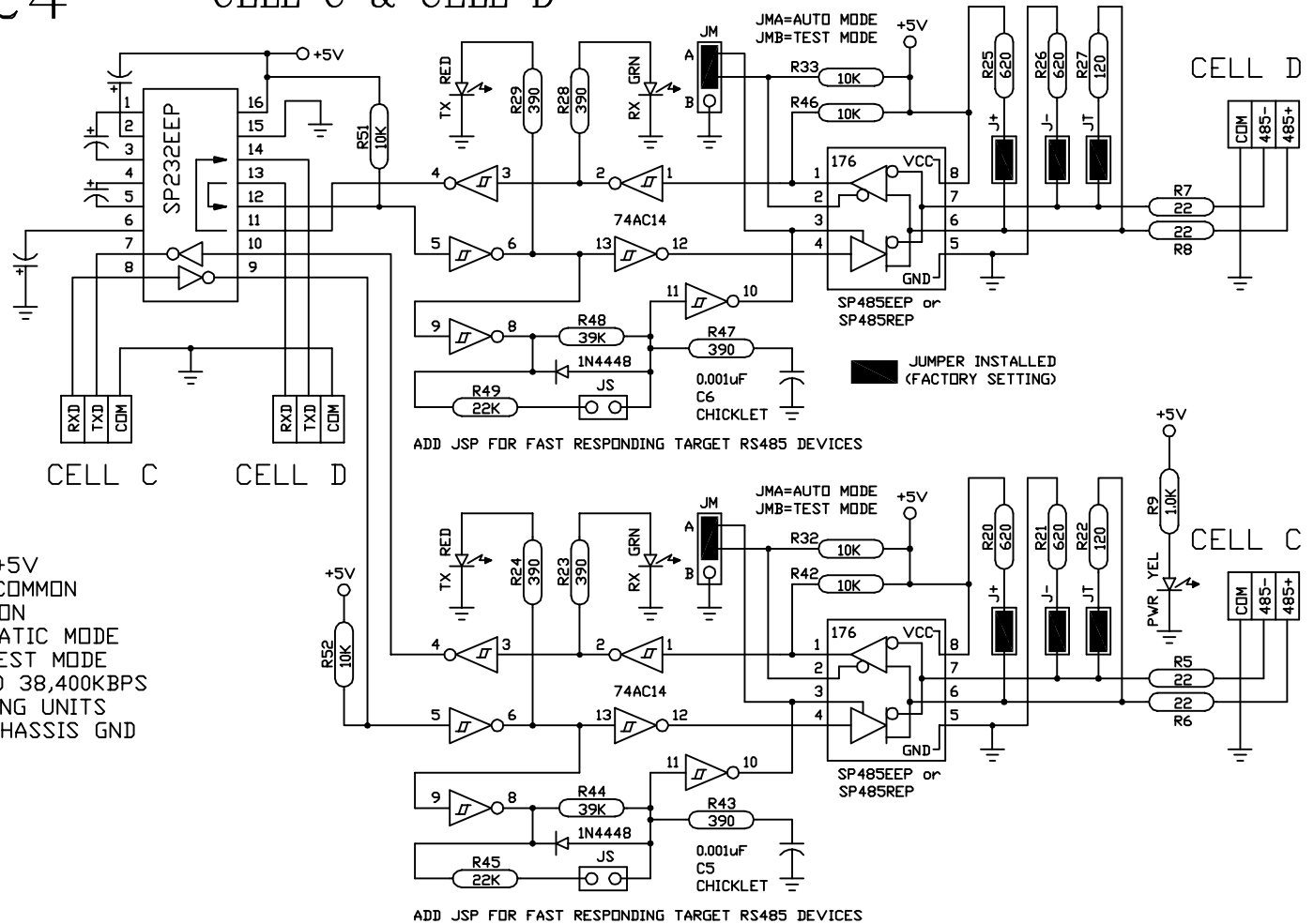
# MODEL QASC24

REV. A

QUAD RS232<=>RS485  
AUTOMATIC CONVERTERS



## CELL C & CELL D



### JUMPER SUMMARY

- J+ (INSTALLED) 620-OHM BIAS TO +5V
- J- (INSTALLED) 620-OHM BIAS TO COMMON
- JT (INSTALLED) 120-OHM TERMINATION
- JM (POSITION A, INSTALLED) AUTOMATIC MODE
- JM POSITION B FOR "LOOK-BACK"/TEST MODE
- JSP (REMOVED) INSTALL FOR SPEED 38,400KBPS AND ABOVE FOR FAST RESPONDING UNITS
- JCG (INSTALLED) PCB COMMON TO CHASSIS GND LOWER LEFT STAND-OFF

LINK: [rs485.com/qasc24.html](http://rs485.com/qasc24.html)

This drawing is the property of R. E. SMITH and shall not be used except with the written permission of R. E. SMITH, no copies shall be made of it and all proprietary rights in the matter contained in this drawing are the property of R. E. SMITH. COPYRIGHT - R. E. SMITH, 2000-2013		DRAWN BY RES	SUBJECT RS232<=>RS485	
DATE 1-14-10 REV 9-16-13		FOR	QUAD AUTO CONV.	
SCALE NONE		RES	R. E. SMITH 10330 CHESTER ROAD CINCINNATI, OH 45215	DWG. NO. QASC24CD
SHEET 1 OF 1	GASC24CD	CHKD. BY RES		REV. A