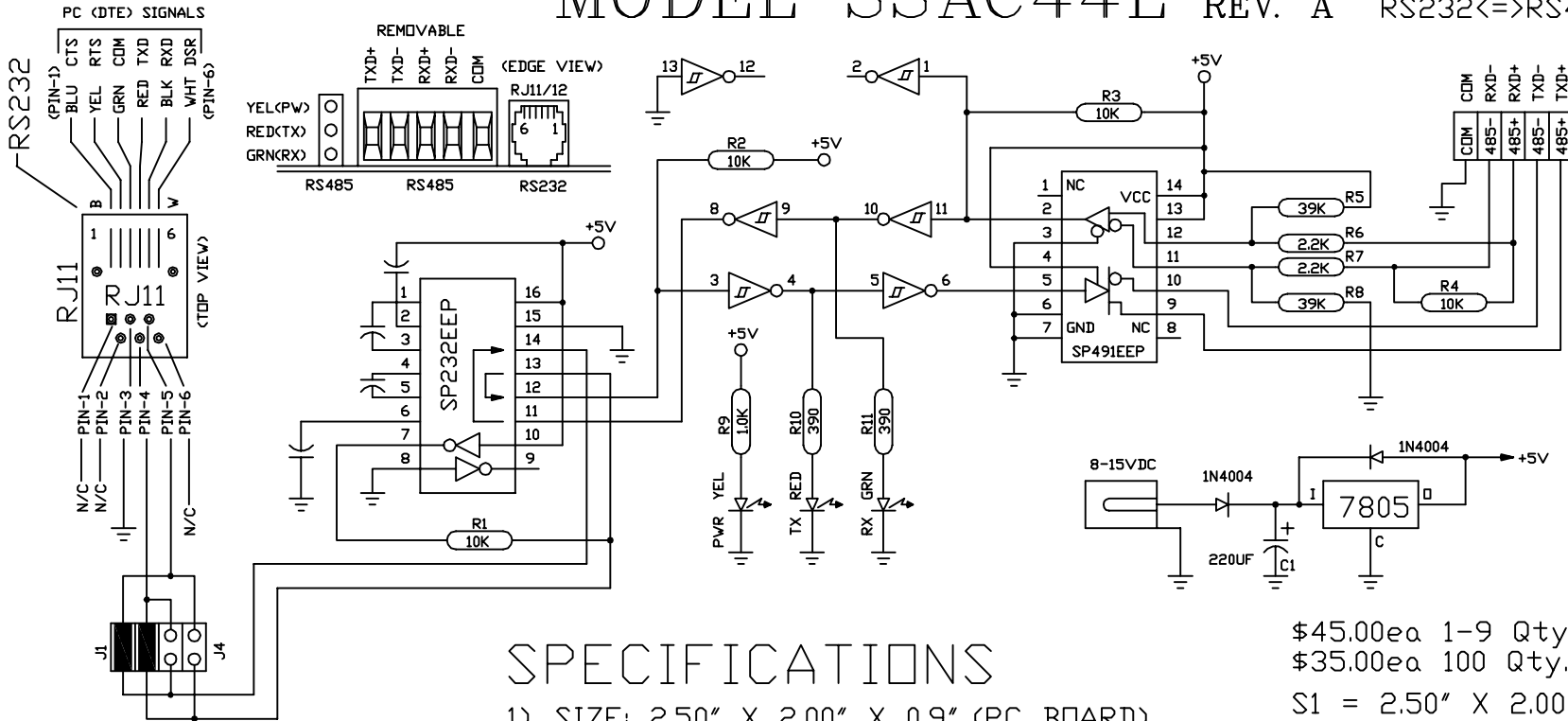


MODEL SSAC44L REV. A RS232<=>RS422



INSTALL J1-J2 FOR PC (DB9F-7)
INSTALL J3-4 FOR MODEM (DB9M-7)

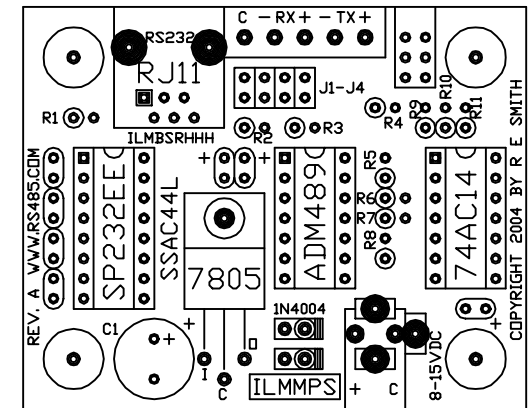
GENERAL INFO.

RS232 TO RS422 CONVERTER FOR 4-WIRE APPLICATIONS AT DATA RATES UP TO 115.2K. LIMITED SLEW RATE DRIVERS WITH LED INDICATORS FOR PWR, TXD & RXD

SPECIFICATIONS

- 1) SIZE: 2.50" X 2.00" X 0.9" (PC BOARD) WITH CONNECTORS: 2.50" X 2.65"
- 2) MOUNTING HOLES: 4-PLACES 2.00" X 1.50" (#6 HARDWARE)
- 3) SP491EEP RS485 DRIVER IC.
- 4) TEMPERATURE RANGE: -40C TO 85C
- 5) HUMIDITY: 10-90% RH NON-CONDENSING
- 6) BAUD: 300-115.2K
- 7) OPERATING VOLTAGE: 8-15VDC
- 8) TYPICAL POWER: UNDER 0.5W
- 9) FULL-DUPLEX POINT-TO-POINT 4-WIRE RS422/RS485

\$45.00ea 1-9 Qty.
\$35.00ea 100 Qty.
S1 = 2.50" X 2.00"
(ACTUAL SIZE 1:1)



LINK: rs485.com/pssac44l.html

RESSmith
WWW.RS485.COM
10330 CHESTER ROAD, CINCINNATI, OHIO 45215
513-874-4796

OPTIONAL ENCLOSURE,
CABLE (DB9F OR DB25F),
AND POWER SUPPLY
ARE AVAILABLE.

This drawing is the property of R. E. SMITH and shall not be used except with the written permission of R. E. SMITH. No copies shall be made of it and all proprietary rights in the matter contained in this drawing are the property of R. E. SMITH. COPYRIGHT - R. E. SMITH, 2000-2013		DRAWN BY RES	SUBJECT RS232/RS485	
DATE 7-27-04 REV 9-18-13		FOR AUTOMATIC CONV.		
SCALE NONE		RES		R. E. SMITH 10330 CHESTER ROAD CINCINNATI, OH 45215
SHEET 1 OF 1	SSAC44L	CHKD. BY RES	DWG. NO. SSAC44L	REV. A