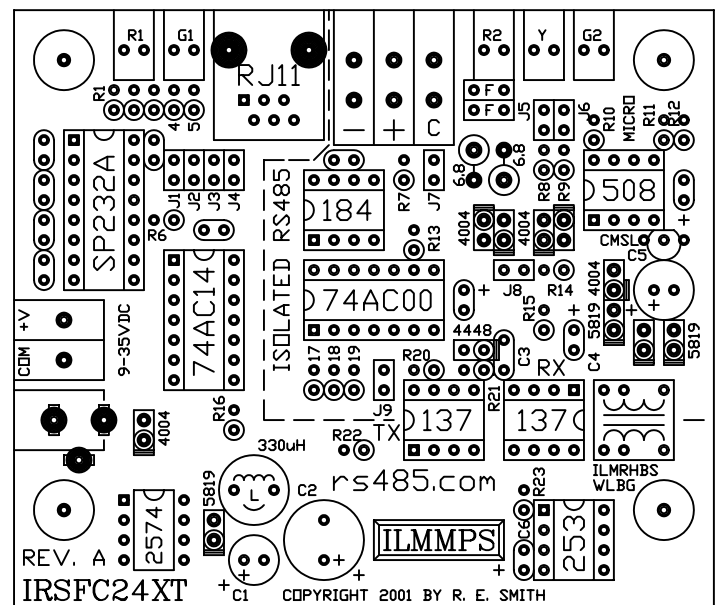
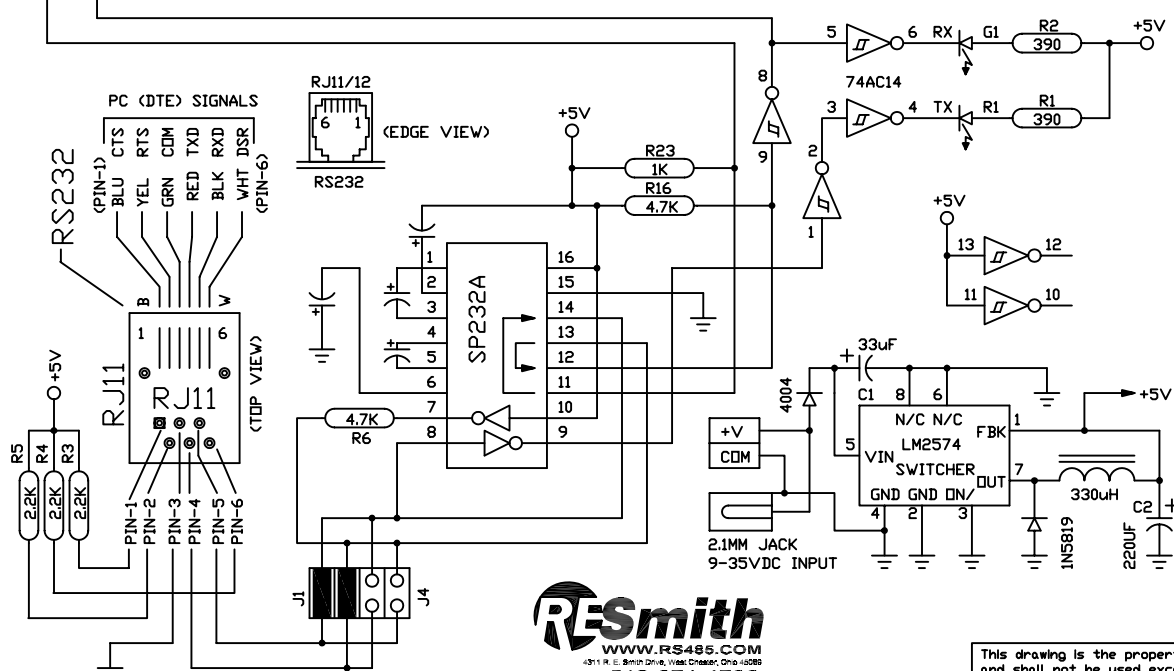
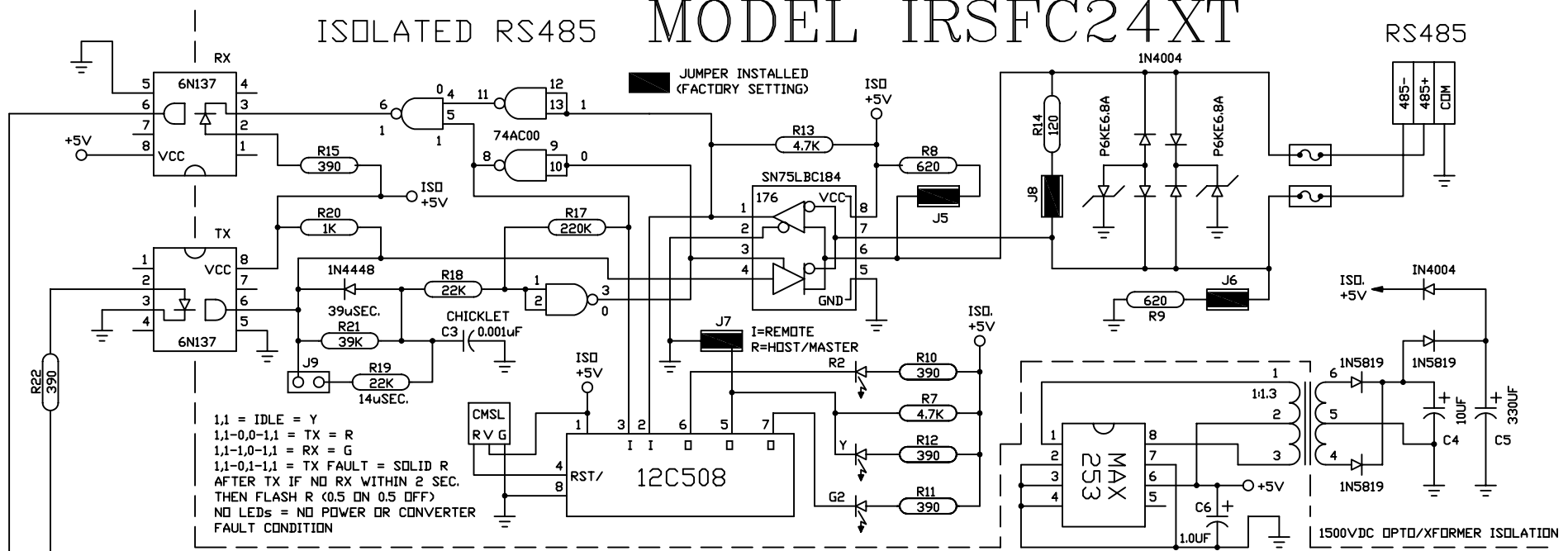


# ISOLATED RS485 MODEL IRSFC24XT



NEW FEATURES: DUAL TRANSIENT PROTECTION, SCHMITT TRIGGER TIMING, SPEED-UP JUMPER, JUMPER SELECTABLE MASTER/REMOTE SOFTWARE, AND SCREW TERMINAL POWER CONNECTION.

[www.rs485.com](http://www.rs485.com)

This drawing is the property of R. E. SMITH and shall not be used except with the written permission of R. E. SMITH, no copies shall be made of it and all proprietary rights in the matter contained in this drawing are the property of R. E. SMITH. COPYRIGHT - R. E. SMITH, 2001		DRAWN BY RES	SUBJECT "AUTO" RS232/RS485
SHEET 1 OF 1		DATE 7-21-01	FOR 1500VDC ISOLATED
IRSFC24XT		SCALE NONE	RES R. E. SMITH DVG. NO. 4311 R. E. SMITH DRIVE WEST CHESTER, OH 45089
CHKD. BY RES		IRSFC24XT B	