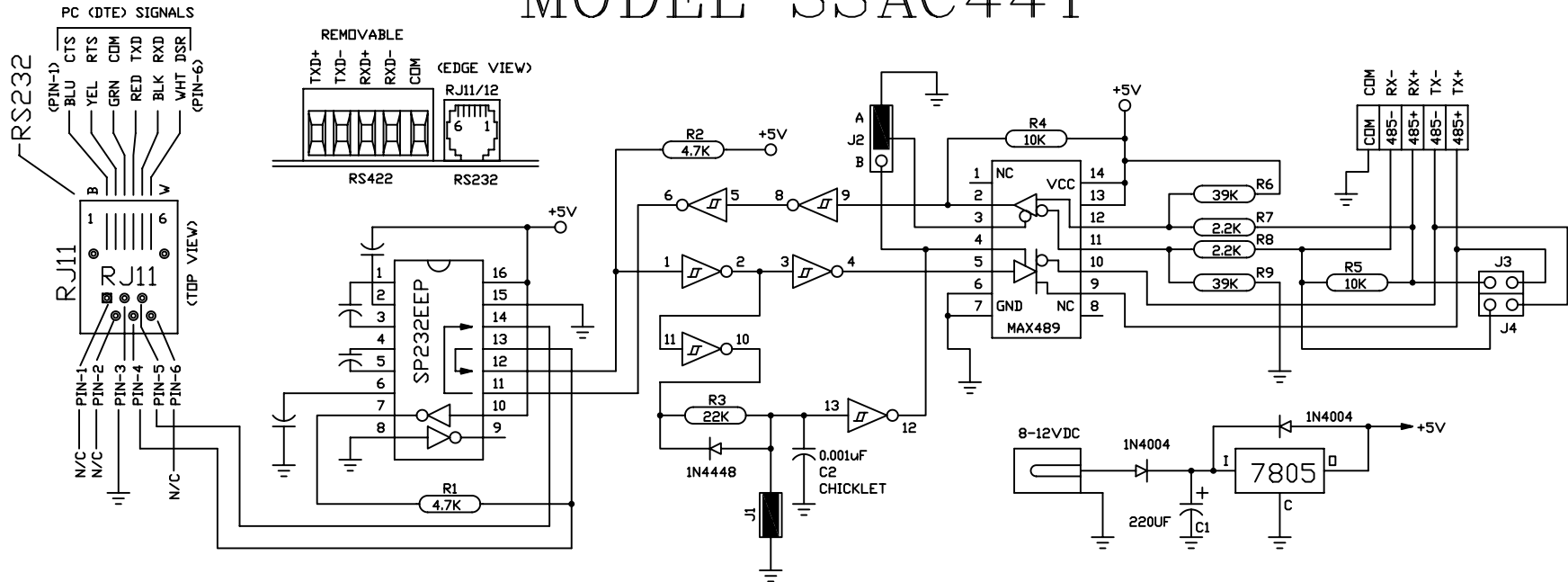


# MODEL SSAC44T



## GENERAL INFO.

FAST AUTOMATIC AUTO TX-ENABLE RS232 TO RS485 CONVERTER FOR 2/4-WIRE APPLICATIONS AT BAUD RATES UP TO 115.2K. LIMITED SLEW RATE DRIVERS WITH LIGHT ONBOARD BIAS AND TERMINATION.

| J1 | J2 | J3 | J4 | MODE             |
|----|----|----|----|------------------|
| I  | A  | R  | R  | RS422(4-WIRE)*   |
| R  | A  | R  | R  | RS422(AUTO-TX)   |
| X  | A  | I  | I  | RS422(LOOP-TEST) |
| R  | B  | I  | I  | RS485(2-WIRE)    |
| R  | A  | I  | I  | RS485(LOOP-TEST) |

A=INSTALL A, B=INSTALL B, I=INSTALL  
R=REMOVE, X=DON'T CARE, \*=FACTORY SETTING

R. E. SMITH  
4311 TYLERSVILLE ROAD  
HAMILTON, OHIO 45011  
(513) 874-4796

[www.rs485.com](http://www.rs485.com)

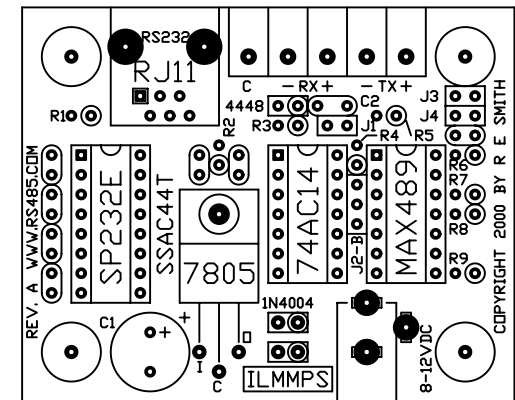
OPTIONAL ENCLOSURE, CABLE (DB9F OR DB25F), AND POWER SUPPLY ARE AVAILABLE.

## SPECIFICATIONS

- 1) SIZE: 2.50" X 2.00" X 0.9" (PC BOARD) WITH CONNECTORS: 2.50" X 2.65"
- 2) MOUNTING HOLES: 4-PLACES 2.00" X 1.50" (#6 HARDWARE)
- 3) LIMITED SLEW RATE RS485 DRIVER (MAX489) IC.
- 4) TEMPERATURE RANGE: 0C TO 65C
- 5) HUMIDITY: 10-90% RH NON-CONDENSING
- 6) BAUD: 300-115.2K (LIMITED SLEW)
- 7) OPERATING VOLTAGE: 8-12VDC
- 8) TYPICAL POWER: UNDER 0.5W
- 9) HALF-DUPLEX 2/4-WIRE RS422/485

\$45.00ea 1-9 Qty.  
\$34.75ea 100 Qty.

ACTUAL SIZE (1:1)



This drawing is the property of R. E. SMITH and shall not be used except with the written permission of R. E. SMITH, no copies shall be made of it and all proprietary rights in the matter contained in this drawing are the property of R. E. SMITH.  
COPYRIGHT - R. E. SMITH, 2000

SHEET 1 OF 1

SSAC44T

DRAWN BY RES

DATE 2-17-00

SCALE NONE

CHKD. BY RES

SUBJECT RS232/RS485

FOR AUTOMATIC CONV.

RES R. E. SMITH  
4311 TYLERSVILLE RD.  
HAMILTON, OHIO 45011

DWG. NO.  
SSAC44T

REV.  
A